

TITLE:
DATE:

ENGINEER:
PAGE:

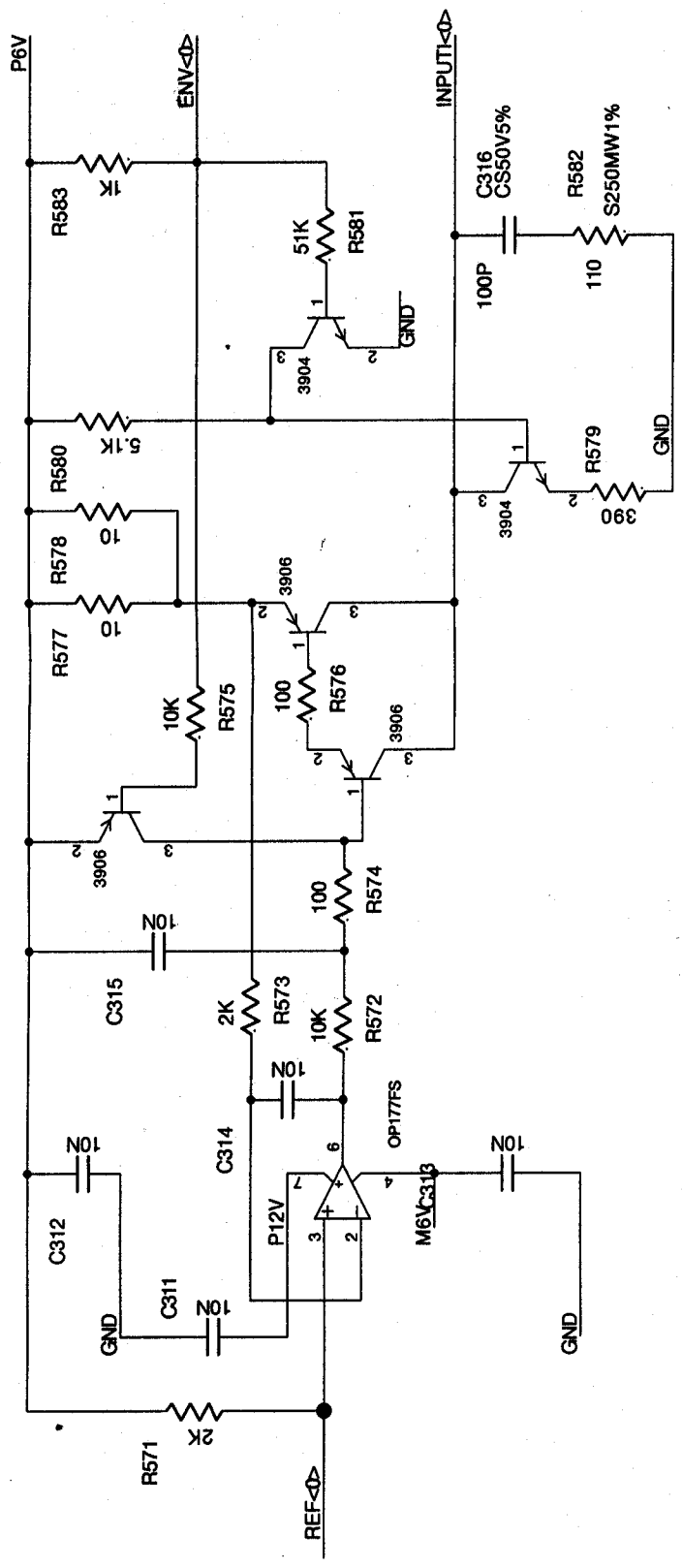


PLANCHE 5: COURANT PULSE VOIE 0

DRAWING
TITLE=CONTROLMERE
ABBREV=CONTROLMERE

LAST_MODIFIED=Wed Aug 4 15:28:43 1999